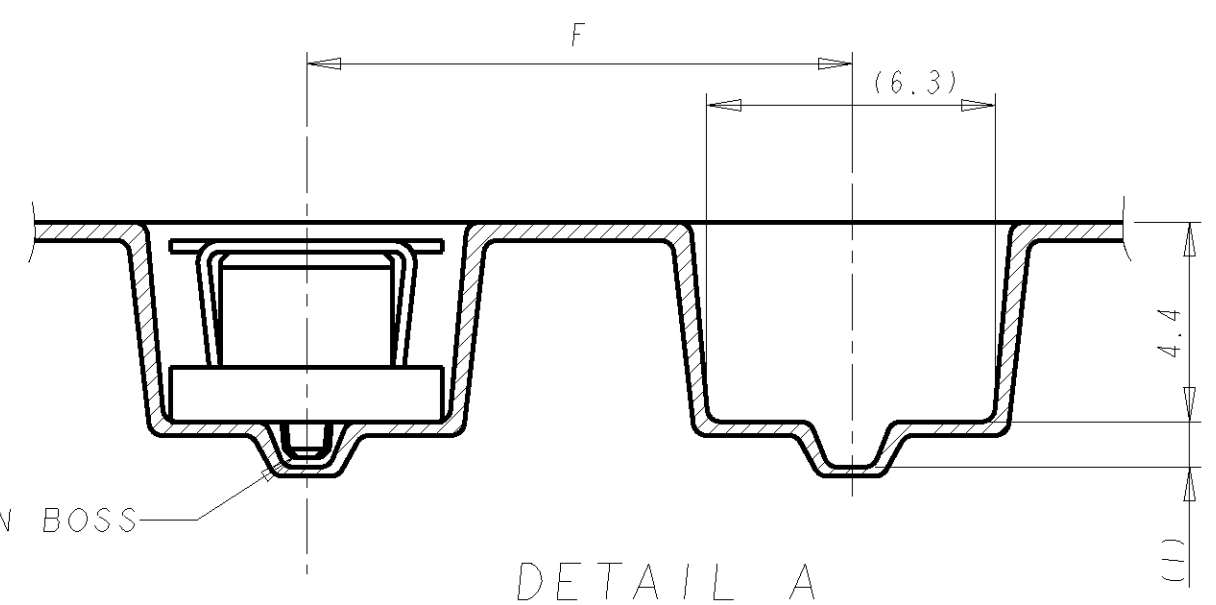
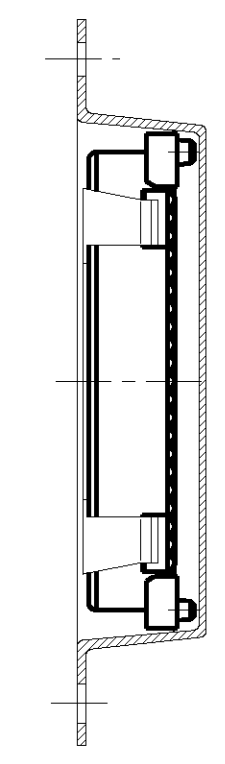
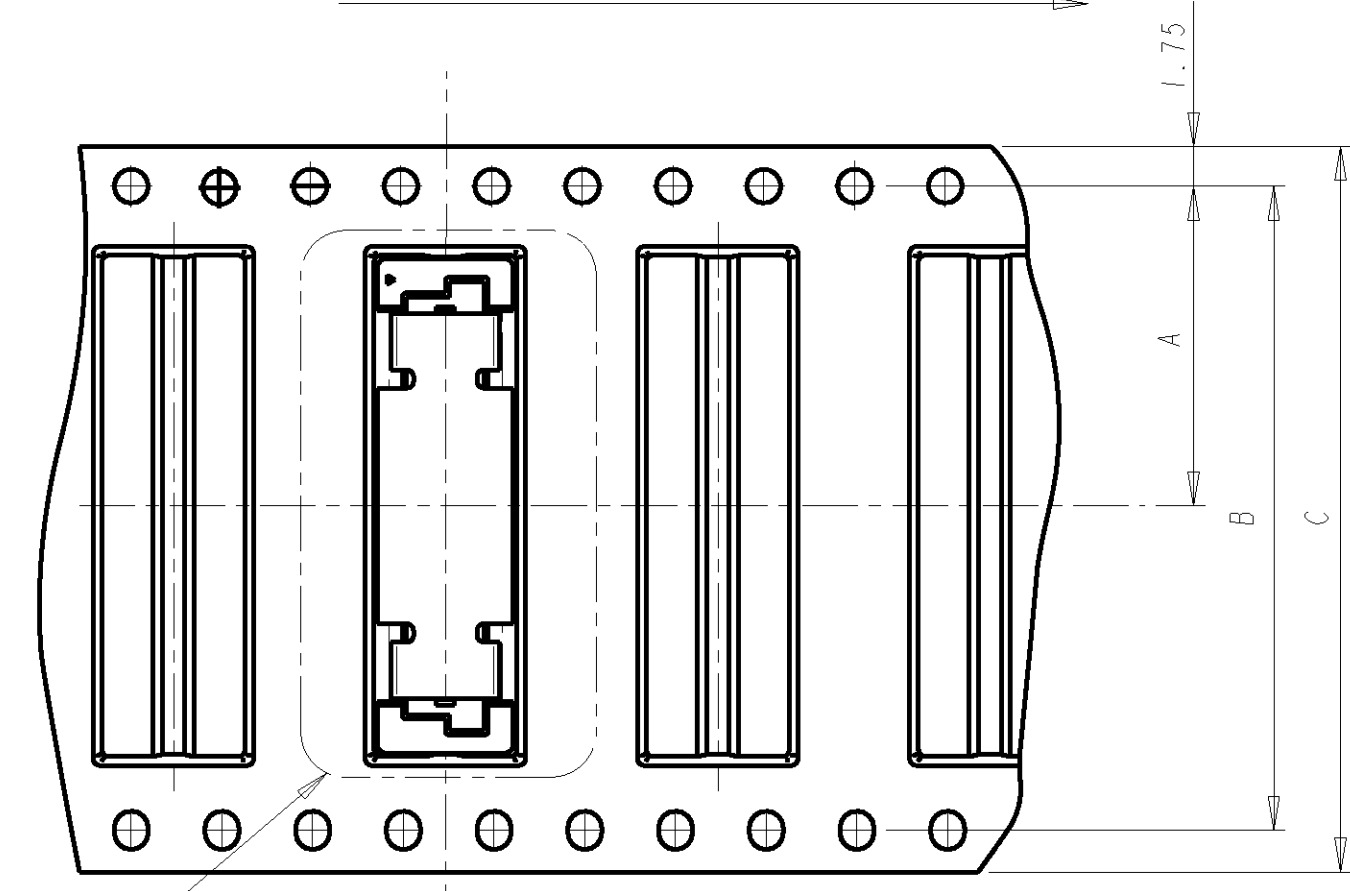


THIS DRAWING IS UNPUBLISHED. RELEASED FOR PUBLICATION  
 © COPYRIGHT BY ALL RIGHTS RESERVED.

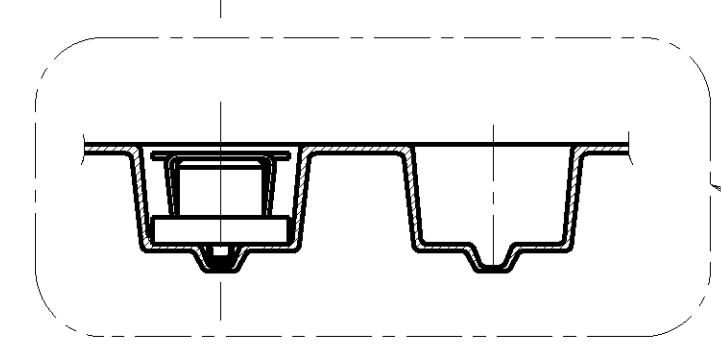
| LOC |     | DIST                      |         | REVISIONS |      |  |  |
|-----|-----|---------------------------|---------|-----------|------|--|--|
| P   | LTR | DESCRIPTION               | DATE    | DWN       | APVD |  |  |
| P   |     | REVISED PER ECO-11-005139 | 19MAR11 | RK        | HMR  |  |  |

DIRECTION OFF TOP OF REEL

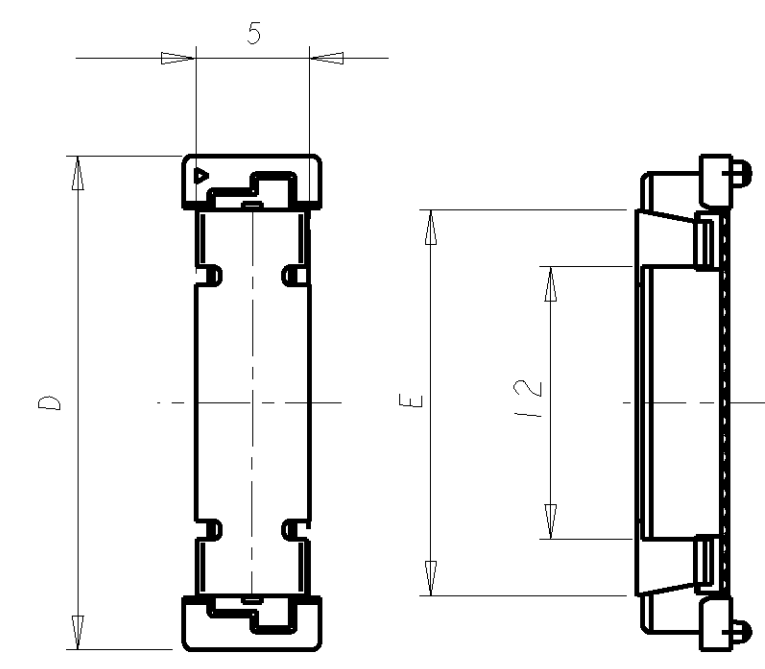


DETAIL A  
(SCALE 4-1)

DETAIL B



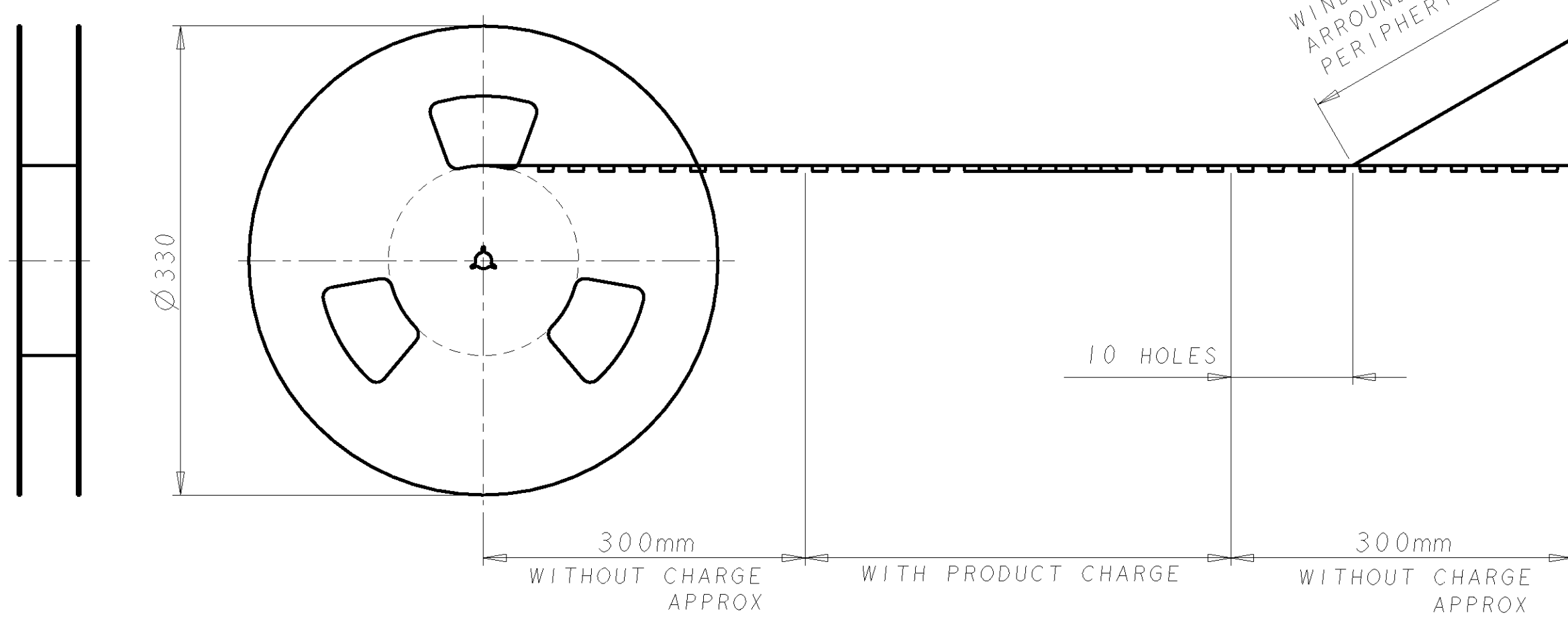
DETAIL A



DETAIL B

- NOTES:
- MATERIAL: HOUSING: L.C.P. (HIGH TEMP THERMOPLASTIC)  
UL 94V-0, NATURAL.  
CONTACT: BERYLIUM COPPER.
  - FINISH: CONTACT AREA: 0.0002 MIN GOLD ON  
0.0013 MIN ALL OVER NICKEL.  
SOLDERING AREA: 0.002 MIN MATTE TIN.
  - POSITION SERIES: SEE TABLE.
  - CONN STACK HEIGHT COMBINE OF PLUG "Y" H VS REC "X" H.  
STACK HEIGHT = Y + X - 5
  - FINISH: CONTACT AREA: 0.00038 MIN GOLD ON  
0.0013 MIN ALL OVER NICKEL.  
SOLDERING AREA: 0.002 MIN MATTE TIN.

WINDING THE COVER TAPE  
AROUND THE OUTER  
PERIPHERY IN A TURN.



| FINISH       | QTY    | F   | E  | D    | C   | B     | A    | POS | CONN P/N | PART NO. |          |    |
|--------------|--------|-----|----|------|-----|-------|------|-----|----------|----------|----------|----|
| 15Au-Sn<br>5 | ↑      | ↑   | ↑  | 85.8 | 104 | 100.4 | 50.2 | 200 | 2-       | ↑        | ↑        | -0 |
|              | ↑      | ↑   | ↑  | 77.8 | 104 | 100.4 | 50.2 | 180 | 1-       | ↑        | ↑        | -9 |
|              | ↑      | ↑   | ↑  | 70.1 | 88  | 84.4  | 42.2 | 160 | 1-       | ↑        | ↑        | -8 |
|              | ↑      | ↑   | ↑  | 61.8 | 88  | 84.4  | 42.2 | 140 | 1-       | ↑        | ↑        | -6 |
|              | ↑      | ↑   | ↑  | 53.8 | 72  | 68.4  | 34.2 | 120 | 1-       | ↑        | ↑        | -5 |
|              | 700    | 16  | ↑  | 45.8 | 72  | 68.4  | 34.2 | 100 | 1-       | ↑        | ↑        | -4 |
|              | ↑      | ↑   | ↑  | 37.8 | 56  | 52.4  | 26.2 | 80  | 1-       | ↑        | ↑        | -3 |
|              | ↑      | ↑   | ↑  | 29.8 | 44  | 40.4  | 20.2 | 60  | 1-       | ↑        | ↑        | -2 |
|              | 1000   | 12  | 17 | 21.8 | 32  | 28.4  | 14.2 | 40  | 1-       | ↑        | ↑        | -1 |
|              | ↑      | ↑   | ↑  | 85.8 | 104 | 100.4 | 50.2 | 200 | 1-       | ↑        | ↑        | -0 |
| 08Au-Sn<br>2 | ↑      | ↑   | ↑  | 77.8 | 104 | 100.4 | 50.2 | 180 | ↑        | ↑        | ↑        | -9 |
|              | ↑      | ↑   | ↑  | 69.8 | 88  | 84.4  | 42.2 | 160 | ↑        | ↑        | ↑        | -8 |
|              | ↑      | ↑   | ↑  | 61.8 | 88  | 84.4  | 42.2 | 140 | ↑        | ↑        | ↑        | -6 |
|              | ↑      | ↑   | ↑  | 53.8 | 72  | 68.4  | 34.2 | 120 | ↑        | ↑        | ↑        | -5 |
|              | 700    | 16  | ↑  | 45.8 | 72  | 68.4  | 34.2 | 100 | ↑        | ↑        | ↑        | -4 |
|              | ↑      | ↑   | ↑  | 37.8 | 56  | 52.4  | 26.2 | 80  | ↑        | ↑        | ↑        | -3 |
|              | ↑      | ↑   | ↑  | 29.8 | 44  | 40.4  | 20.2 | 60  | ↑        | ↑        | ↑        | -2 |
|              | 1000   | 12  | 17 | 21.8 | 32  | 28.4  | 14.2 | 40  | ↑        | ↑        | ↑        | -1 |
|              | ↑      | ↑   | ↑  | 85.8 | 104 | 100.4 | 50.2 | 200 | ↑        | ↑        | ↑        | -0 |
|              | FINISH | QTY | F  | E    | D   | C     | B    | A   | POS      | CONN P/N | PART NO. |    |

|                |  |  |  |                       |  |                           |  |               |  |   |  |
|----------------|--|--|--|-----------------------|--|---------------------------|--|---------------|--|---|--|
| DIMENSIONS: mm |  | TOLERANCES UNLESS OTHERWISE SPECIFIED: |  | DWN SK LEAW 17MAY2004 |  | CHK ERIC TNG 17MAY2004    |  | APVD SE LEONG |  | TE Connectivity   |  |
| MATERIAL       |  | SEE P/N TABLE                          |  | PRODUCT SPEC 108-5390 |  | APPLICATION SPEC 114-5254 |  | WEIGHT -      |  | NAME RECEPTACLE ASSEMBLY 5H TYPE (0.5 BOSS LENGTH) FOR FH 0.8 B-T-B CONN, ON TAPING |  |
| SCALE 3:1      |  | SHEET 1 OF 1                           |  | DRAWING NO 5177985    |  | CAGE CODE 00779           |  | REV P         |  | CUSTOMER DRAWING  |  |

5177985